

TC-510 Pressure Control Unit



TC-510 Pressure Control Unit

The TC-510 Pressure Control Unit is a passive interface between the Millar Mikro-Tip catheter pressure transducer and strain gauge pressure monitors which supply bridge excitation voltage and have balance and calibration controls for full-bridge strain gauge pressure transducers. The TC-510 has an internal calibration circuit to provide an electrical zero as well as a 100 mmHg calibration signal. The output connector is a standard 9-pin sub-D. A separate monitor interface cable is required.

Pressure Control Unit Ordering Information

Model Number	Part Number	Number of Channels	Input Connector Type	Isolated Input/Output	Output Connector Type
TC-510	851-5918	One	Viking	No	9 pin sub-D

NOTE: Viking connectors are round with 4 pins.

Mikro-Tip Catheter Pressure Interface Cables

Mikro-Tip Pressure Catheters are provided with either Viking (4-pin) or Millar Low Profile (4-pin) connectors depending on the model purchased. Catheter models with Viking connectors may connect directly to the TC-510. Connecting the catheter with a Viking connector directly to the control unit limits access to the subject or patient. It is recommended that a TEC-10C interface cable be used between the catheter and control unit. All catheters with low profile pressure connectors require a TEC-10D interface cable to the control unit. Each pressure channel requires a separate interface cable and control unit.



**Viking Connector
(TEC-10C)**

**Low Profile Connector
(TEC-10D)**

Adapter/Interface Cable Ordering Information

Cable Model	Part Number	Cable Length	Catheter End Connector Type	Control Unit Connector Type
TEC-5C	850-1118	5 ft. (152 cm)	Viking	Viking
TEC-10C	850-1108	10 ft. (304 cm)	Viking	Viking
TEC-10D	850-1308	10 ft. (304 cm)	Low Profile	Viking

NOTE: Viking connectors are round with 4 pins. Low Profile connectors are flat with 4 pins. The above flexible cables facilitate maneuvering the catheter during recording. They may be sterilized and permit connection of a catheter to a Pressure Control Unit located outside the sterile field.

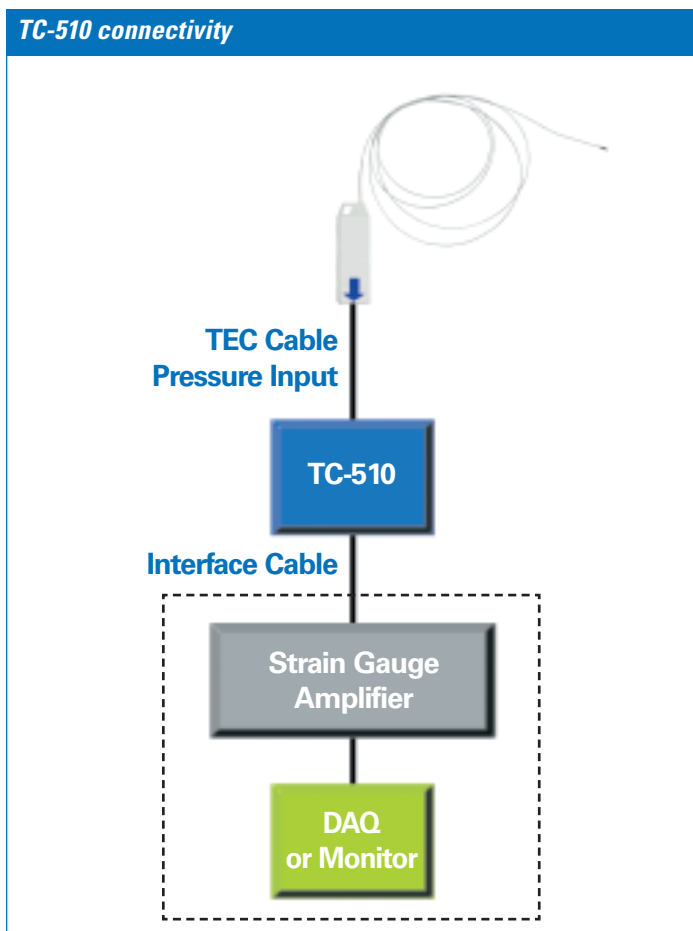
TC-510 Pressure Control Unit Output Cable

Cable Model	Part Number	Cable Length	Control Unit Connector Type	Monitor Connector Type
TC-510 Output Monitor Cable	850-3008	6.5 ft. (198 cm)	9 pin sub-D	Open ended, not wired

NOTE: A selection is available from Millar of other TC-510 output cables that are wired for a variety of monitor and recorder inputs. Please contact our Customer Service Department for availability.

When ordering please specify the following:

- Data Acquisition System/Recorder/Preamp/Coupler manufacturer. Example: Hewlett Packard
- Preamp/Coupler models. Example: 8805D
- Specify Connector and pin-out. Example: Hewlett Packard TWINAX or Cannon WK6-21C
- Indicate if an intermediate connector panel, i.e., “patch panel,” is to be used with the recorder.



World Headquarters

Millar Instruments, Inc.

6001-A Gulf Freeway

Houston, Texas 77023-5417 USA

Phone: 832-667-7000 or 800-669-2343 (in the USA)

Fax: 832-667-7001

Email: info@millarmail.com

Web site: www.millarinstruments.com

Millar Worldwide Distribution

Millar Instruments, Inc. has a network of Authorized Distributors in most countries around the world. For information on the Millar distributor in your country, please contact the Millar Customer Service Department at our headquarters in Houston.

Authorized Representative for the European Community

BOSA S.p.A.

Via Sardegna n°61

20146 Milano

Italy

Telephone: +39-02-48011-693

Fax: +39-02-468564

Email: bosasp@tin.it



© 2002, 2004 Millar Instruments, Inc.

Millar, Mikro-Tip, and At the Heart of Sensor Innovation are registered trademarks of Millar Instruments, Inc.

Products and company names used are the trademarks or trade names of their respective companies.

Models referred to herein are protected by USA and International patents. All product specifications are subject to change without notice.

M.I. P/N 005-1050 Rev. --